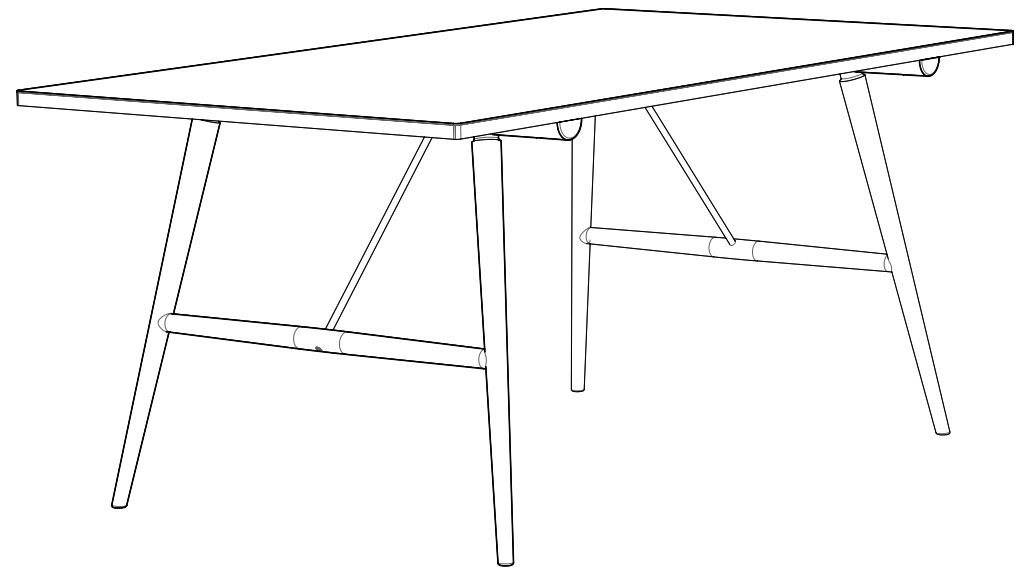

HOUE

HEKLA TABLE

DESIGN BY
HENRIK PEDERSEN



ASSEMBLY INSTRUCTIONS

97-5070

